

# C612

## Combination Freezer

Single Shake, Single Soft Serve, Pump

### Features

Offer all the popular shake and soft serve variations, from low fat shakes and smoothies, and low or non-fat ice creams to custards, yogurt and sorbet.

### Freezing Cylinder

Shake side, 7 quart (6.6 liter).

Soft Serve side, 3.4 quart (3.2 liter).

### Refrigerated Mix Hoppers

Two, 20 quart (18.9 liter). Separate hopper refrigeration (SHR) maintains mix below 41°F (5°C) during Auto and Standby modes.

### Indicator Lights

Digital readout displays hours since last brush cleaning to assure product safety. Mix Low light alerts operator to add mix. Audible alarm may be enabled to sound when mix is low. When the Mix Out light flashes, the unit shuts down automatically to prevent damage.

### Touch Screen Controls

Microprocessor touch controls are embedded in durable tempered glass panel. Multiple languages are selectable. Viscosity is continually measured to dispense consistent quality shake and soft serve desserts. Temperatures in the hoppers or freezing cylinders may be displayed at any point of operation, in either Fahrenheit or Celsius. Draw counter allows operator to view number of servings dispensed.

### Dispensing

Ergonomic draw handles with hidden adjustment screw allows the operator to set the proper draw rate. Star design pattern is integrated into the soft server dispensing door, reducing operator replacement parts.

### Standby

During long no-use periods, the standby feature maintains safe product temperatures in the mix hopper and freezing cylinder.

### Door Interlock System

Protects the operator from injury as the beater will not operate without the dispensing door in place.

### Two Locking Casters

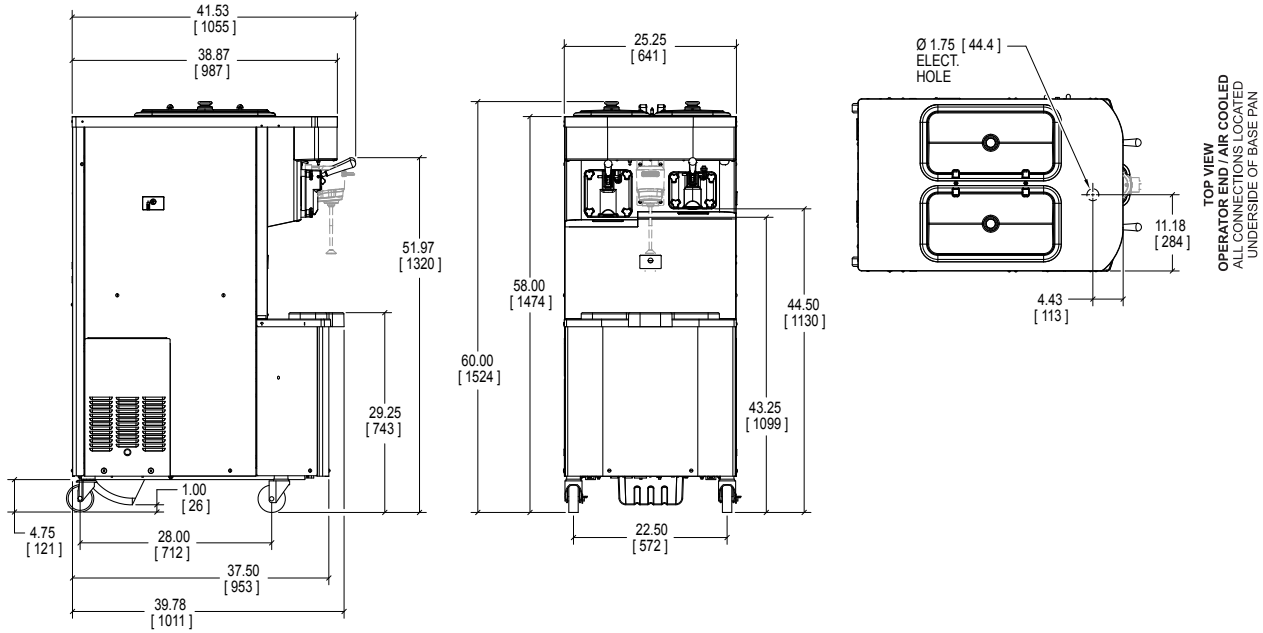
Front casters have a locking feature for operators to lock to maintain equipment in place. The locking casters can be released to move the equipment for cleaning.



Simplified Pump



Optional Panel Spinner



FIGURES IN BRACKETS INDICATE MILLIMETERS / DECIMAL AND FRACTIONAL DIMENSIONS EQUAL TO ( PLUS OR MINUS 1/16 INCH [1.5mm] ).

Weights	lbs.	kgs.
Net	675	306.2
Crated	699	317.0
Volume	cu. ft.	cu. m.
Volume	61.8	1.75
Dimensions	in.	mm.
Width	25-1/4	641
Depth	38-7/8	987
Height	60	1524
Floor Clearance	4-3/4	121

\*Mounted on standard casters

Electrical	Maximum Fuse Size		Minimum Circuit Ampacity		Poles (P) Wires (W)
	Left	Right	Left	Right	
208-230/60/1 Air	30	35	21	23	2P 3W
208-230/60/1 Water	30	35	21	23	2P 3W
208-230/60/3 Air	15	20	13	15	3P 4W
208-230/60/3 Water	15	20	13	15	3P 4W
220-240/50/1 Air	25	20	18	17	2P 3W
380-415/50/3N~ Air	10	10	8	8	4P 5W

This unit may be manufactured in other electrical characteristics and may have additional regulatory agency approvals. Consult the local Taylor Distributor for other electrical characteristics and agency approvals based on specific electrical and country requirements.

(For exact electrical information and approval marks, always refer to the data label of the unit.)

**Continuing research results in steady improvements; therefore, these specifications are subject to change without notice.**

**Bidding Specs**

Electrical: Volt \_\_\_\_\_ Hz \_\_\_\_\_ ph \_\_\_\_\_  
 Neutral: Yes No      Cooling: Air Water NA

Options: \_\_\_\_\_

**Specifications**

**Electrical**

Two dedicated electrical connections are required. See the Electrical chart for the proper electrical requirements. Manufactured to be permanently connected. Consult your local Taylor distributor for cord & receptacle specifications as local codes allow.

**Beater Motor**

Shake, 1.0 HP; Soft Serve, 1.5 HP

**Refrigeration System**

Shake, 11,000 BTU/hr.; Soft Serve, 9,500 BTU/hr. R449A

Separate Hopper Refrigeration (SHR), One, 400 BTU/hr. R134a. (BTUs may vary depending on compressor used.)

**Air Cooled**

Minimum 3" (76 mm) around all sides. Install the deflector provided to prevent recirculation of warm air. Minimum air clearances must be met to assure adequate air flow for optimum performance.

**Options**

- Panel Mounted Spinner

**Authorized Taylor Distributor**



750 N. Blackhawk Blvd.  
 Rockton, Illinois 61072  
[www.taylor-company.com](http://www.taylor-company.com)